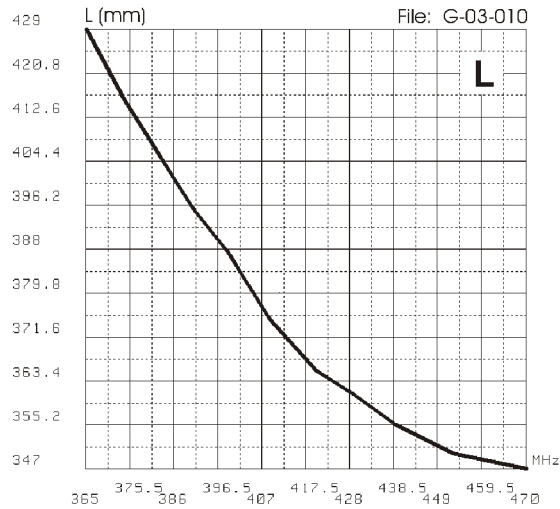
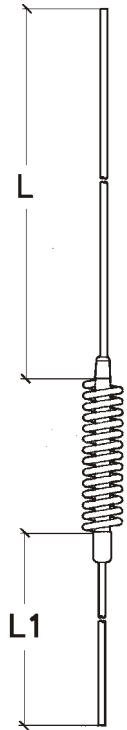
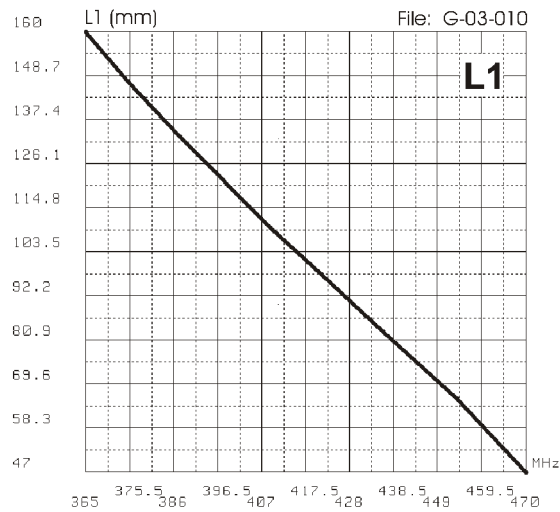


## TYPICAL TUNING DIAGRAMS

TYPICAL TUNING DIAGRAM vs FREQUENCY

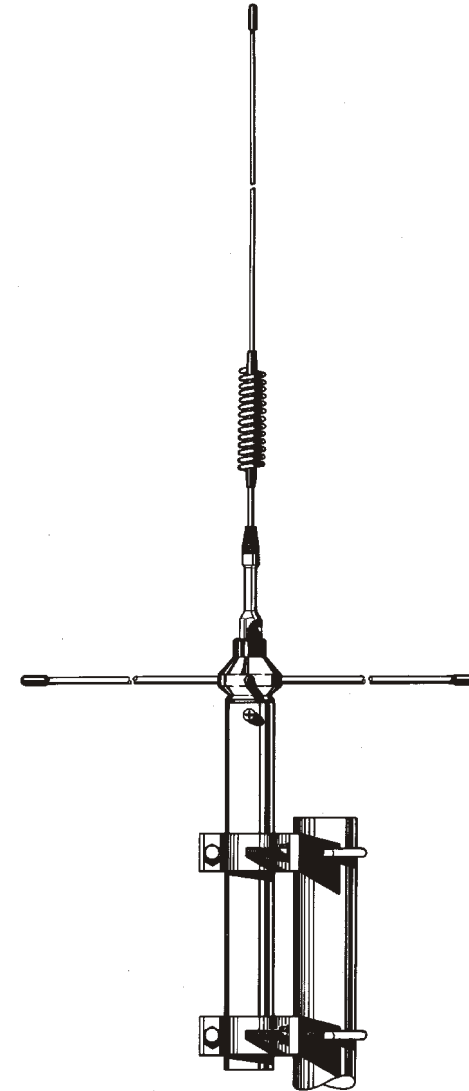


TYPICAL TUNING DIAGRAM vs FREQUENCY



# GP 365-470 C

UHF Base Station Antenna 365-470 MHz



**NOTE:**

- Use the curves just as a guide. For fine-tuning please use an SWR-Meter.

## DESCRIPTION

UHF colinear Ground Plane antenna suitable for the base station service covering the frequency range of 365 - 470 MHz tunable by cutting. The main whip and the radials are made of 17/7 PH stainless steel and its base is of chromed brass to get the best robustness. Easy to fit, it is suitable for a handy installation everywhere.

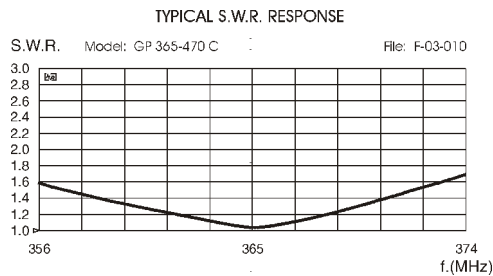
## SPECIFICATIONS

### Electrical Data

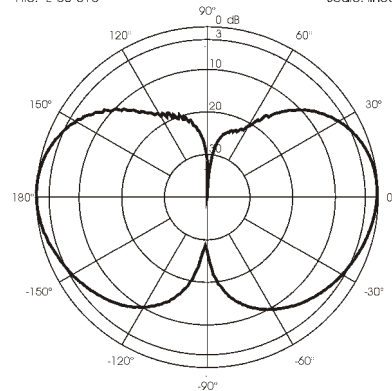
Type	:	1/4 + 1/2 colinear
Frequency Range	:	from 365 to 470 MHz tunable by cutting
Impedance	:	50 Unbalanced
Radiation (H-plane)	:	360 Omnidirectional
Radiation (E-plane)	:	Beamwidth at -3 dB = 53
Radiation angle deg.	:	0
Polarization	:	Vertical
Gain	:	2.5 dBd - 4.65 dBi
Bandwidth @ SWR 1.5	:	15 MHz @ 365 MHz
SWR @ res. freq.	:	1.2
Max Power	:	150 Watts
Feed System / Position	:	Direct / Base
Connector	:	"N" Female Gold Plated

### Mechanical Data

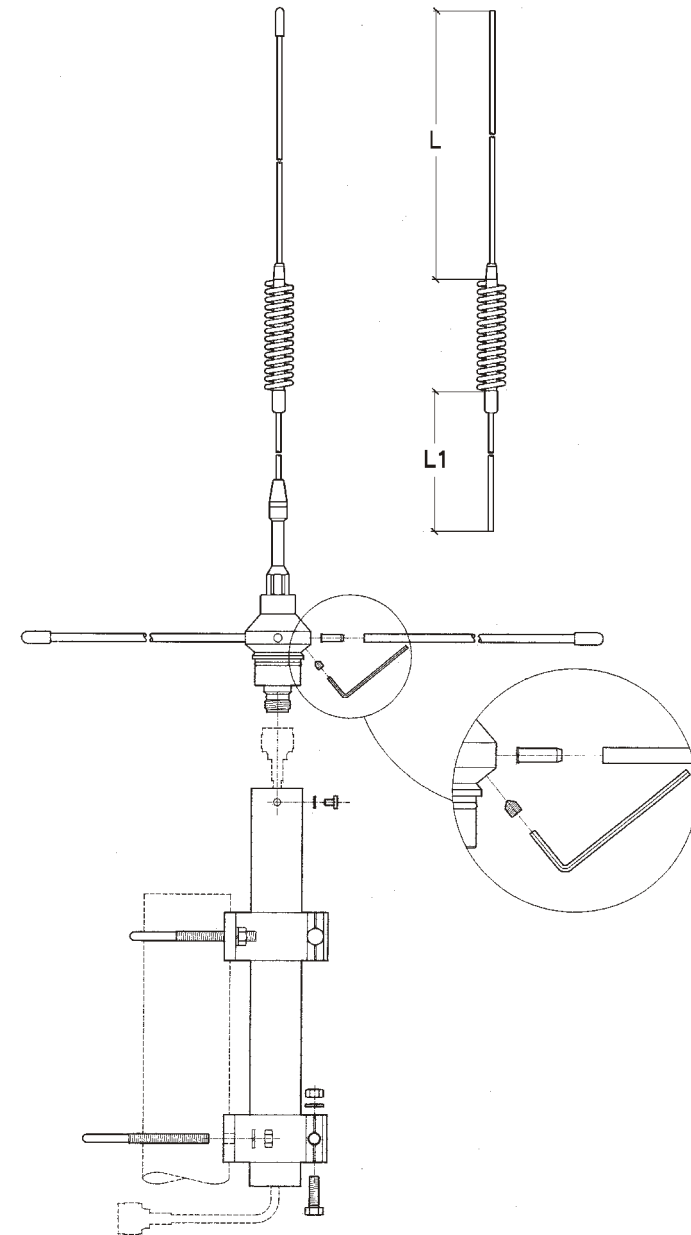
Materials	:	Stainless Steel, Aluminium, Chromed Brass
Wind Load / Resistance	:	18 N at 150 Km/h / 180 Km/h
Wind Surface	:	0.02 m <sup>2</sup>
Height (approx.)	:	990 mm
Weight (approx.)	:	729 gr
Radial Length (approx)	:	200 mm
Mounting Mast	:	35-54 mm



TYPICAL RADIATION PATTERN in E-plane at 435 MHz  
File: E-03-010 Scale: linear



## MOUNTING INSTRUCTIONS



HI-QUALITY ANTENNAS MADE IN ITALY

